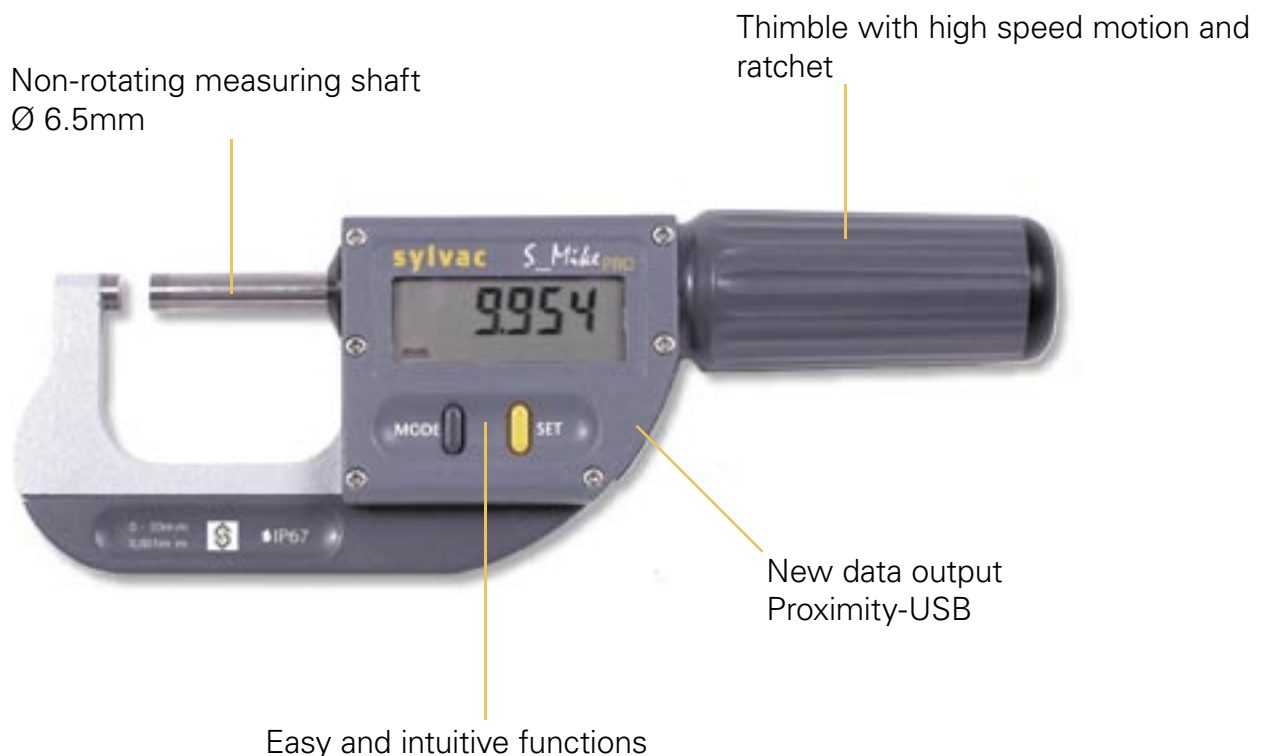




The new S_Mike PRO

The professional Micrometer

- Water and coolant resistant, IP67 (according to IEC 60529)
- Measuring range from 0 up to 102mm with 3 instruments only
- Smart Inductive Sensor (S.I.S):
 - Automatic stand-by mode
 - Origin saved
 - Automatic wake-up by motion of the measuring shaft
- Non-rotating measuring shaft with high motion speed of 12mm / rotation
- New contactless data output (S_Connect Proximity)
- Increased self-contained use (12'000 working hours)
- Switchable measuring force 5N / 10N

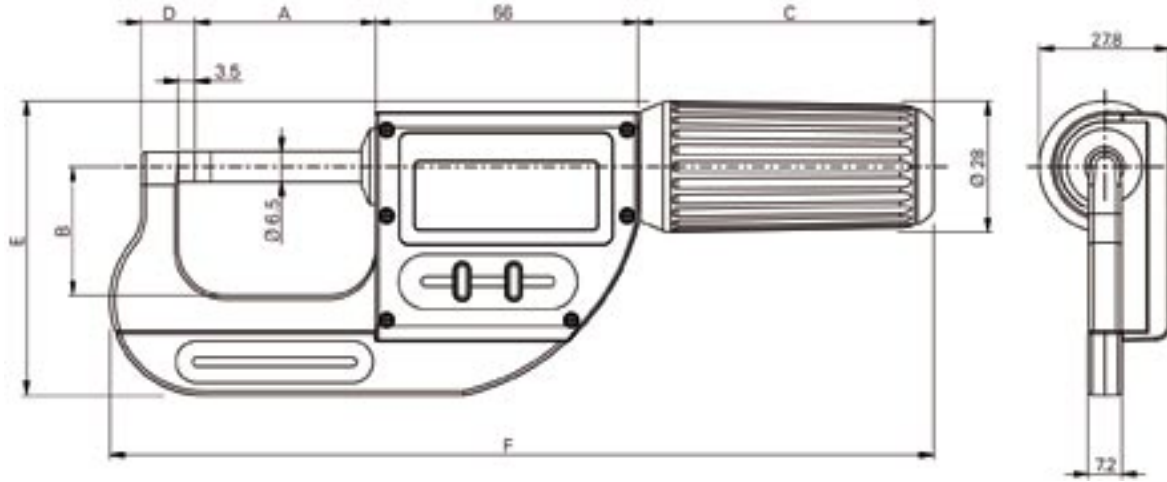


IP67



S_Mike PRO

Technical data



		903.0300	903.0600	903.1000
Measuring range	mm	0-30	30-66	66-102
Max. error G ¹⁾	µm	3	4	5
Repeatability ²⁾	µm	1	1	1
A	mm	38.5	74.5	110.5
B	mm	27.5	43	60
C	mm	63	75	75
D	mm	11.5	12.5	13.5
E	mm	63	85	106
F	mm	176	231	270
Protection IP ³⁾		IP67		
S_Connect		Proximity-USB / RS232 / Digimatic / Wireless		
Zero setting		●		
Smart Inductive Sensor		●		

Set of 3 Micrometer 0 up to 102mm: 903.1300

¹⁾ According to DIN 863

²⁾ +/- 1 digit

³⁾ According to IEC 60529

Accessories



926.6721

Cable Proximity-USB



SYLVAC SA CP Ch. du Cloislet 16 CH-1023-Crissier

+41 (0) 21 637 67 57 - Fax: +41 (0) 21 637 67 40

E-mail: vente@sylvac.ch - Web: www.sylvac.ch

Changes without prior notice
Toutes modifications réservées
Änderungen vorbehalten